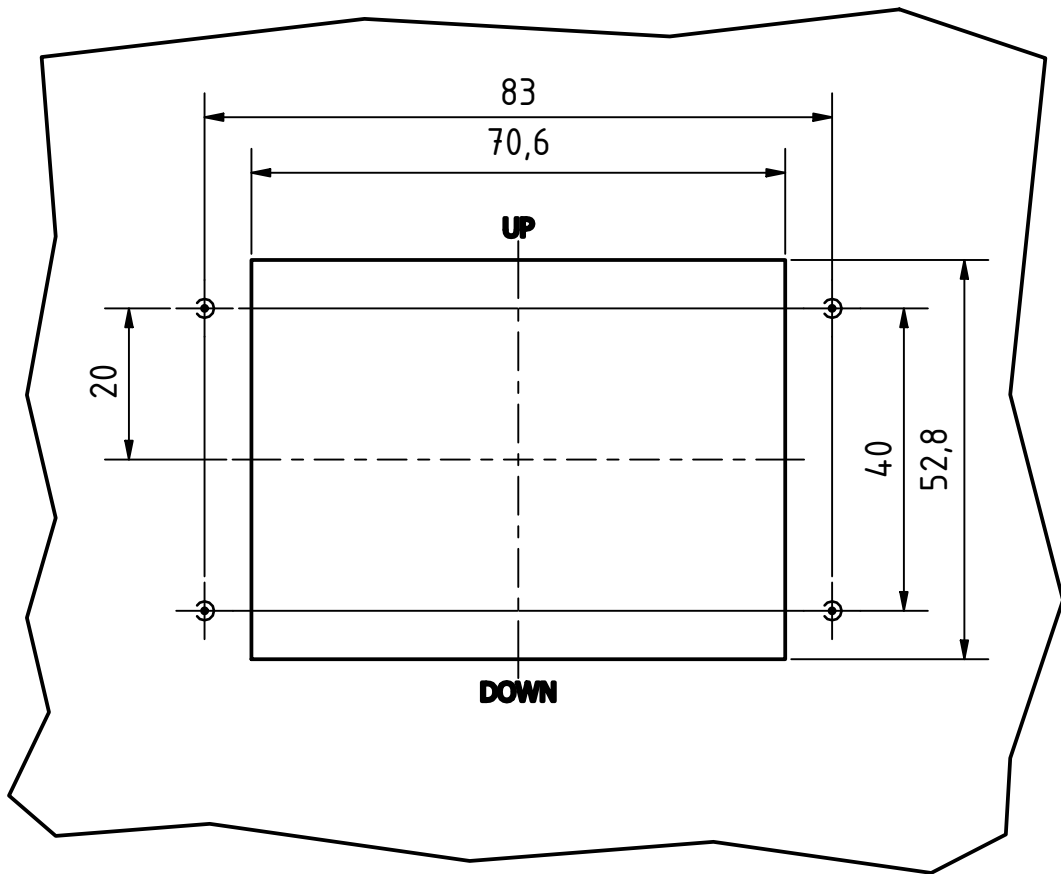


tolerances DIN ISO 2768-mK		surfaces EN ISO 1302		scale 2 : 1		weight 0,117 kg	
all dimensions in mm		edges ISO 13715		material		author Axel Isele date 05.08.2019 revision 00	
prepared Axel Isele		signature		project		DCB35H	
approved		signature		drawing title		Dimensions	
authorized M. Bittner		signature		drawing no		DIBOH-1000.00	
EBS		SYSTART		drawing no		sheet 1	
info@ebs-systart.com		consider protection memo from DIN ISO 16016		assy part no		of 2	
rev.	description	date	author	info@ebs-systart.com		DIN A2	



Recommended cutout for panel-mounting

Active area: 70,08 x 52,56 mm

Visible area: 71,00 x 53,00 mm

Sensor area: 72,00 x 54,00 mm

Use 4x M2,5

		tolerances DIN ISO 2768-mK	surfaces EN ISO 1302 edges ISO 13715	scale 1 : 1	weight	-
		all dimensions in mm		material		
		name	signature	author Axel Isele	date 05.08.2019	revision 00
		prepared	Axel Isele	project DCB35H		
		approved		drawing title Dimensions		
		authorized	M. Bittner	drawing no DIBOH-1000.00		sheet 2
				assy part no		of 2
rev.	description	date	author	info@ebs-systart.com		consider protection memo from DIN ISO 16016 DIN A4