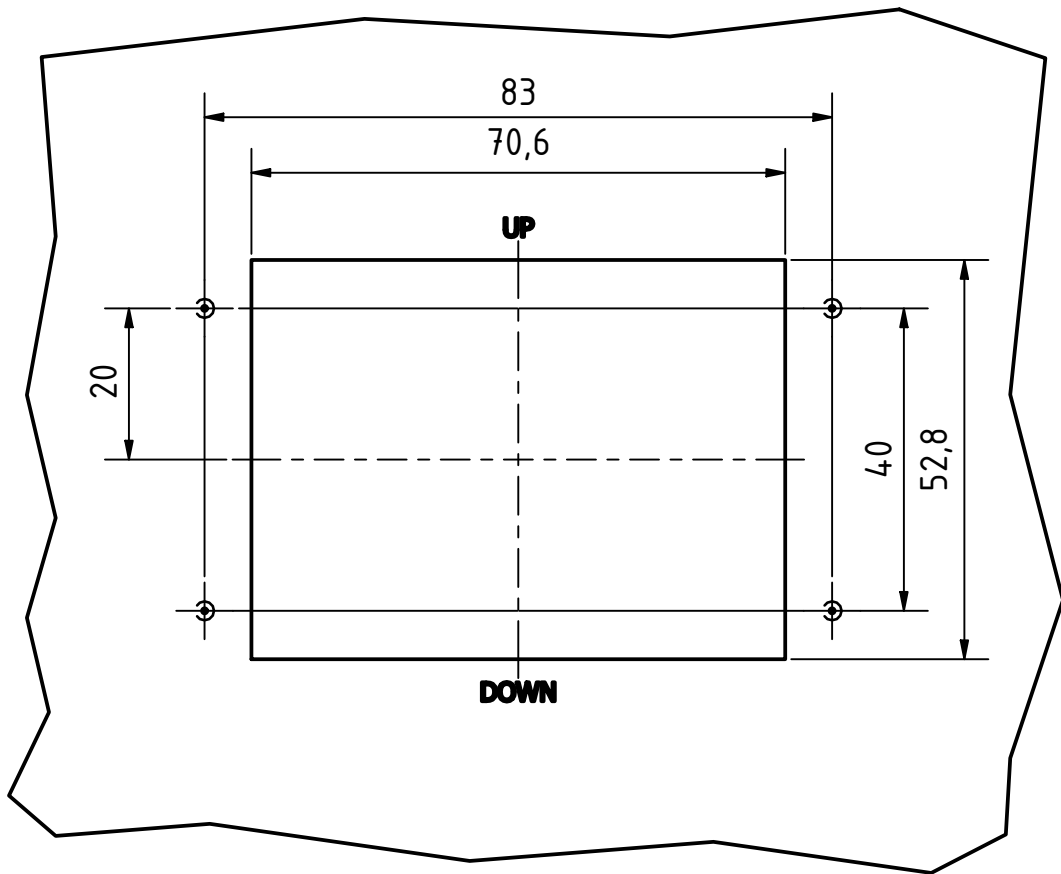


tolerances DIN ISO 2768-mK		surfaces EN ISO 1302		scale 2 : 1		weight 0,117 kg	
edges ISO 13715		material		author Axel Isele		date 05.08.2019	
all dimensions in mm		signature		revision 00			
prepared	Axel Isele	project		DCB35V			
approved		drawing title		Dimensions			
authorized	M. Bittner	drawing no		DIBOV-1000.00		sheet 1	
EBSYSART		assy part no				of 2	
rev.	description	date	author	info@ebs-systart.com		consider protection memo from DIN ISO 16016	
						DIN A2	



Recommended cutout for panel-mounting

Active area: 70,08 x 52,56 mm

Visible area: 71,00 x 53,00 mm

Sensor area: 72,00 x 54,00 mm

Use 4x M2,5

		tolerances DIN ISO 2768-mK	surfaces EN ISO 1302 edges ISO 13715	scale 1 : 1		weight	-
		all dimensions in mm		material			
		name	signature	author Axel Isele	date 05.08.2019	revision 00	
		prepared	Axel Isele	project DCB35V			
		approved		drawing title Dimensions			
		authorized	M. Bittner	drawing no DIBOV-1000.00			
				assy part no			sheet 2
rev.	description	date	author	info@ebs-systart.com			of 2
							DIN A4